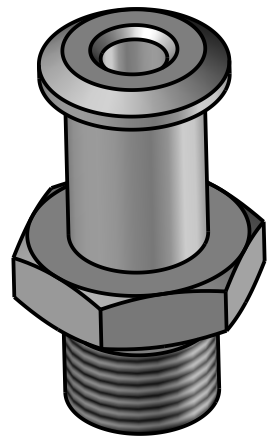
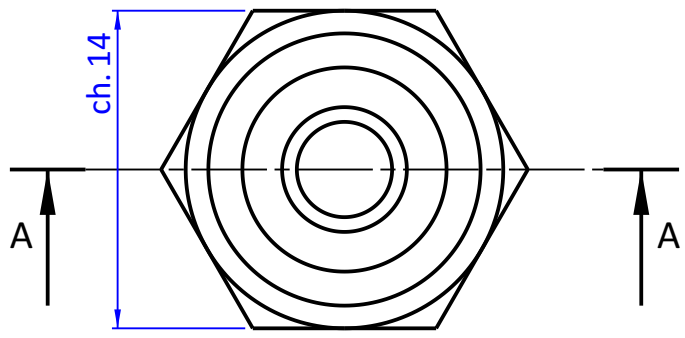
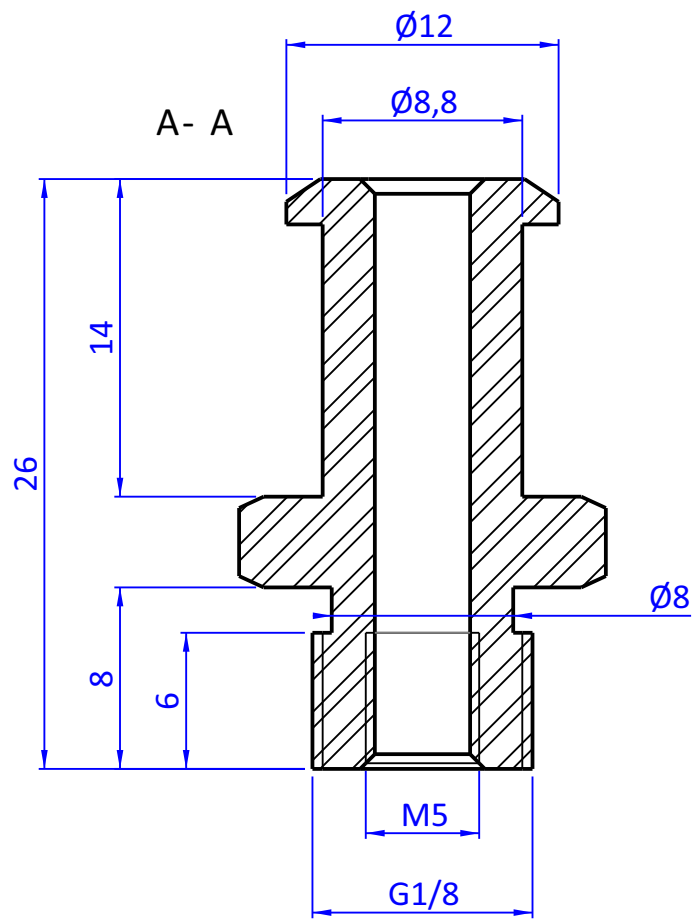

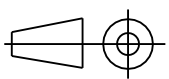


THE PROPERTY OF THE DRAWING IS ESTABLISHED BY LAW. IT IS FORBIDDEN TO PRODUCE OR SHOW IT TO THIRD PART. WITHOUT A WRITTEN AGREEMENT.

A	17/04/2024	Giovanniello	
Indice	Data	Autore	Commento



Format A4 UNI 936-76	 <b>FPS</b> FPSERVICES AUTOMATION			DESIGNED FROM FPS Automation	REVIEW A	SCALA 3:1
	GENERAL TOLERANCE UNI - ISO 2768 CLASSE f	MATERIALE ALL.ES.14.11S		DATE 17/04/2024	WEIGHT 0,005kg	
DESCRIZIONE NIPPLO VENTOSA G1/8			CODE CA.08.09.043			
TRATTAMENTO -						